

Instruction for Use

Trade Name: Pubis Support

Warning

When using operating table accessories, always pay close attention to the patient. Patients left in the same posture for an extended period of time are at risk for developing nerve paralysis and/or bedsores.

Contraindication/Prohibition

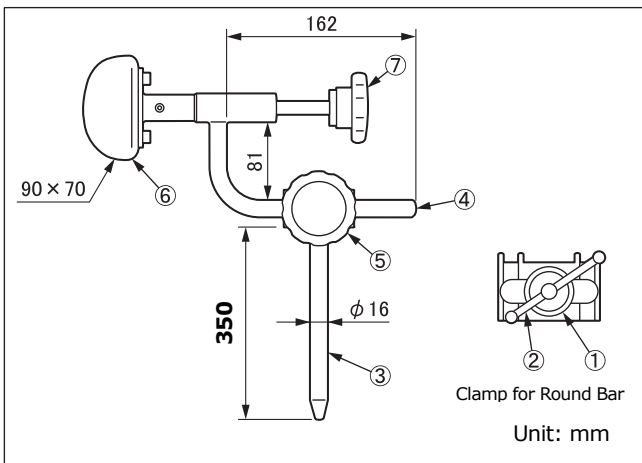
This product is only validated for use with Mizuho operating tables.

Symbol mark for labeling

MD : Medical Device

Specifications

1. Shape



Note: Clamp for round bar is shown in the figure above.

Code No.	Product Description
08-078-32	Pubis Support with Clamp *1
08-078-32-NC	Pubis Support (NC) *2
08-110-01	Clamp for Round Bar *3
08-117-09	Clamp for Round Bar (R1) *4
08-117-11	Clamp for Round Bar (R2) *5

*1: *3 is included.

*2: Please select *3, *4 or *5 to use *2.

*3, *4 and *5: The size of mountable side rail is different.

2. Weights

Pubis Support | Main body: 2.3kg

Clamp for round bar (All types): 0.9kg

3. Material

- ① Rail clamp: Stainless cast steel
- ② Fixing handle: Stainless steel rod
- ③ Support pole: Stainless steel rod
- ④ Arm: Stainless steel rod
- ⑤ Arm handle: Stainless steel rod
- ⑥ Pad: Urethane
- ⑦ Pad handle: Stainless steel rod

Note: The number corresponds to those used in 1. Shape.

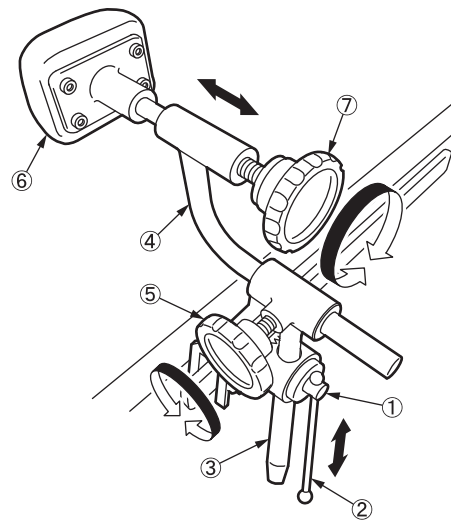
Intended purpose

This is an accessory to an operating table. This is a tool for supporting a patient's pubis who is lying in the lateral recumbent position.

Intended user

This product is to be used by health care professionals, including but not limited to surgeons, nurses and biomedical technicians.

Instructions for use



- ① Rail clamp
- ② Fixing handle
- ③ Support pole
- ④ Arm
- ⑤ Arm handle
- ⑥ Pad
- ⑦ Pad handle

1. Attach the Rail clamp① to the side rail of an operating table.
2. Insert the Support pole③ into the Rail clamp① and tighten the Fixing handle② to temporarily secure the Support pole③.
3. Move the Arm④ to a position appropriate for the patient's posture.
4. After the adjustment, secure the Rail clamp① and the Arm④ with the Fixing handle② and the Arm handle⑤.
5. Use the Pad handle⑦ to adjust the position of the Pad⑥.

Warning/Caution

1. Warning

Ensure all fixing handles are tight. Loose condition can cause the product to come off or move, which may result in a patient injury.

2. Important cautions

2-1. When working with an operating table, take care not to allow this product to make contact or interfere with the table top or with other tools and appliances used in combination with this product. Otherwise the product could break.

2-2. For hygiene, be sure to use sterilized drapes on the areas on this product where the patient comes into contact with it.

Storage/Life

1. Do not store the device in high temperatures or in areas with high humidity where the temperature has drastic variations.
2. Service life of this product: 7 years
(Subject to the specified maintenance and inspection and is stored properly.)

Maintenance/Inspection

<By the user>

1. Check that this product is not damaged or broken before and after each use.
2. Cleaning and disinfection
Wipe off blood, chemicals, contaminants, and other stains with water, and clean the device with gauze or other material moistened with alcohol to disinfect.
3. In case of a malfunction
When this product is broken, clearly label the device as "Broken", "Do not use", "Need repair", etc., and contact your local dealer or Mizuho.

<By agents>

Maintenance and inspection can only be carried out certified agents of Mizuho.

Packing

1 piece per pack

Warranty

MIZUHO Corporation will repair defective parts of this product without charge for one year from the date of delivery/installment except for cases of damage caused by a third party's repair, act of nature, improper use or intentional damage. All other warranty terms and conditions are subject to regulations of MIZUHO Corporation.

Disposal

This device must be disposed of in accordance with local regulations. Please contact your local distributor for proper disposal.

Notice

Any serious incident that has occurred in relation to the device should be reported to the manufacturer and the competent authority in which the user and/or patient is established.

Manufacturer



MIZUHO Corporation
3-30-13 Hongo, Bunkyo-ku, Tokyo 113-0033, Japan
<http://www.mizuho.co.jp>

European authorized representative



Emergo Europe B.V.
Prinsessegracht 20, 2514 AP, The Hague
The Netherlands